

Features

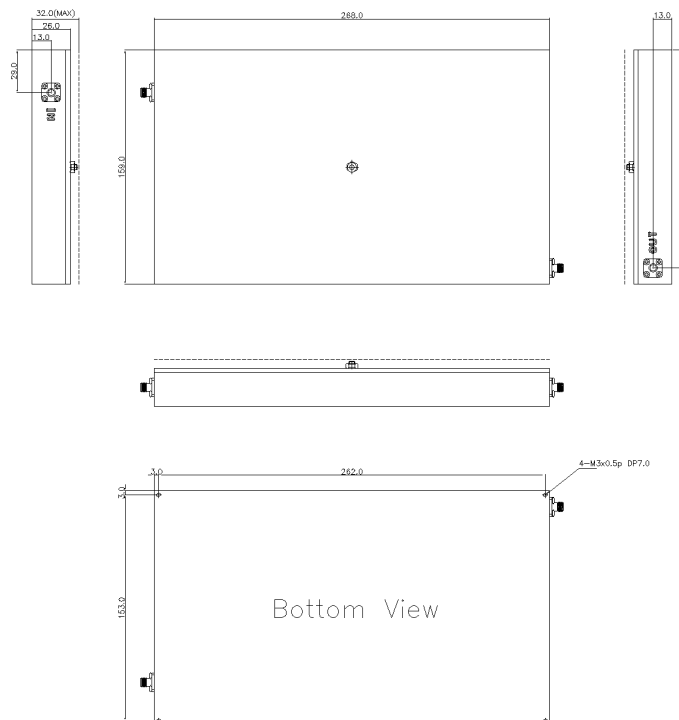
- LTE Band 41 Downlink BAND STOP FILTER
- Typical 2.3 dB Insertion Loss
- Typical 64.0 dB Stop Band Attenuation



Specifications

Parameter	Specifications	Remarks
Pass Band Frequency Range	DC ~ 2,486 MHz, 2,700 ~ 4,000 MHz	
Insertion Loss (Max.)	2.5 dB @ Pass Band	
Stop Band Attenuation (Min.)	60 dB @ 2,496 ~ 2,690 MHz	LTE Band 41 DL
Return Loss (Min.)	12 dB @ Pass Band	
In/ Out Impedance	50 Ω	
Dimensions	159.0 * 268.0 * 32.0 mm	Exclude Connectors
Connector	SMA (F)	

Outline drawing



Units : mm, Tolerance : +/- 0.2 mm

Typical Response

